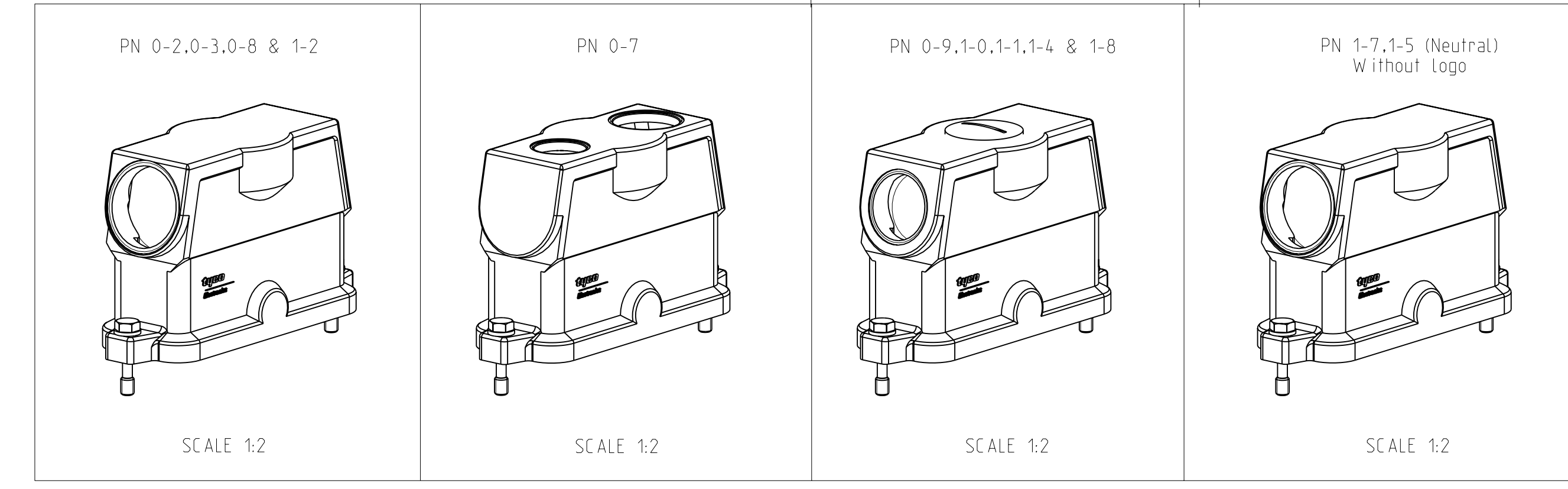
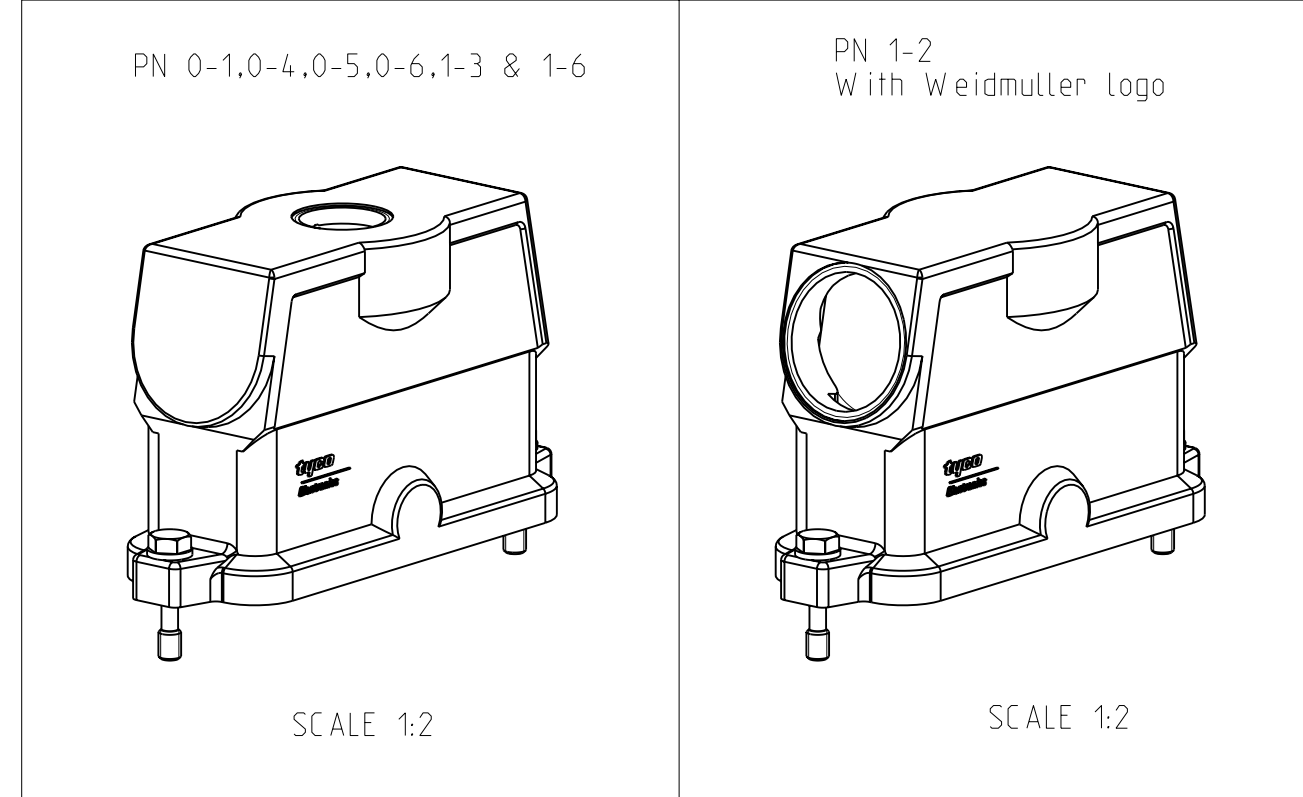
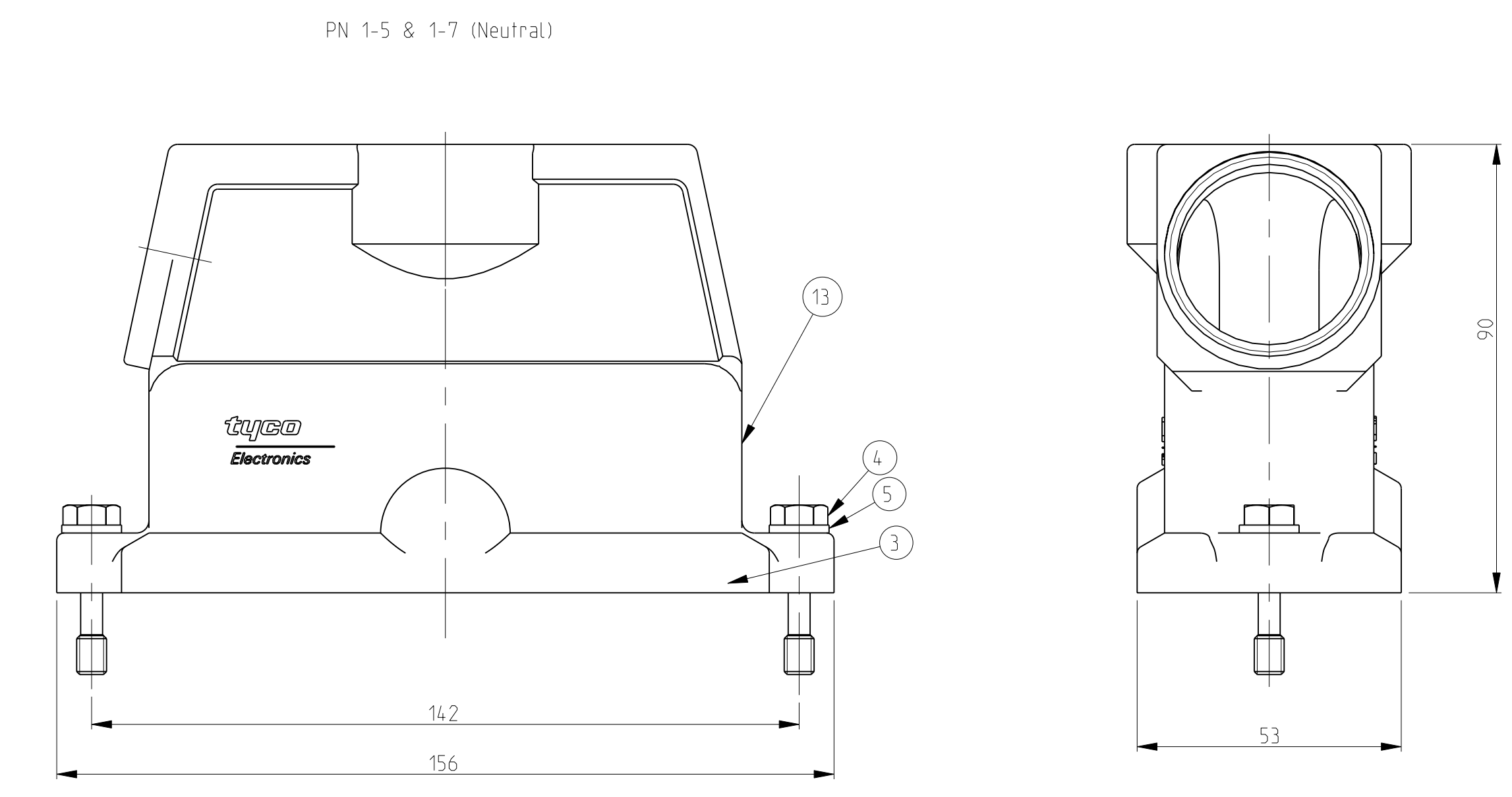
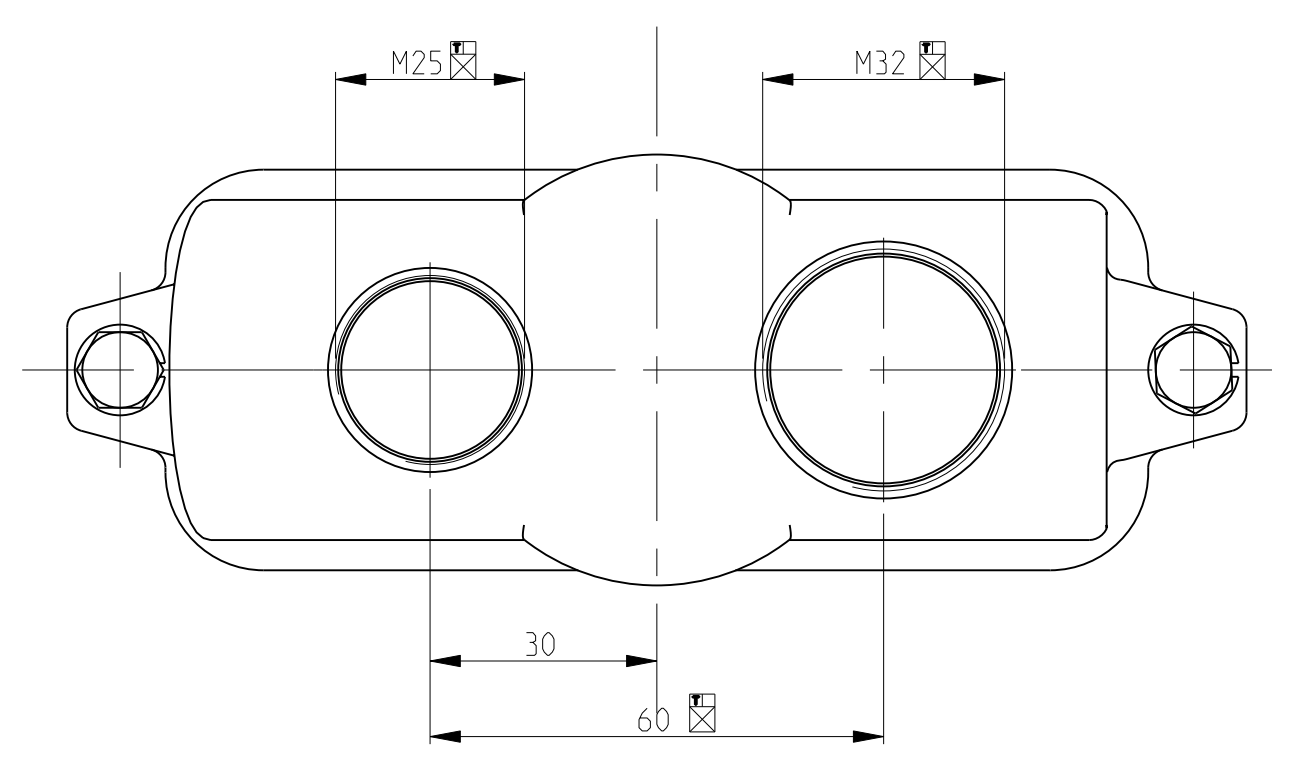
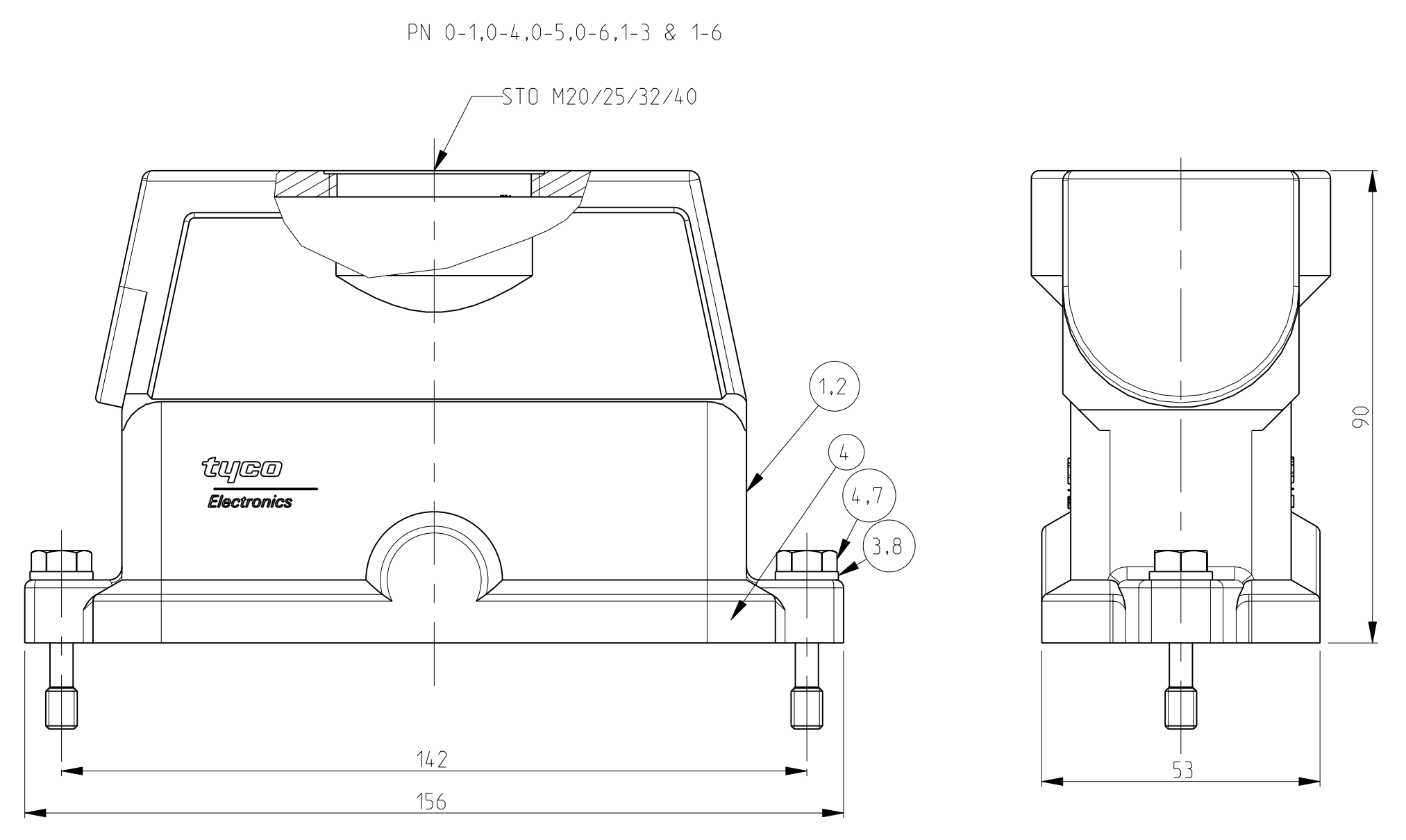
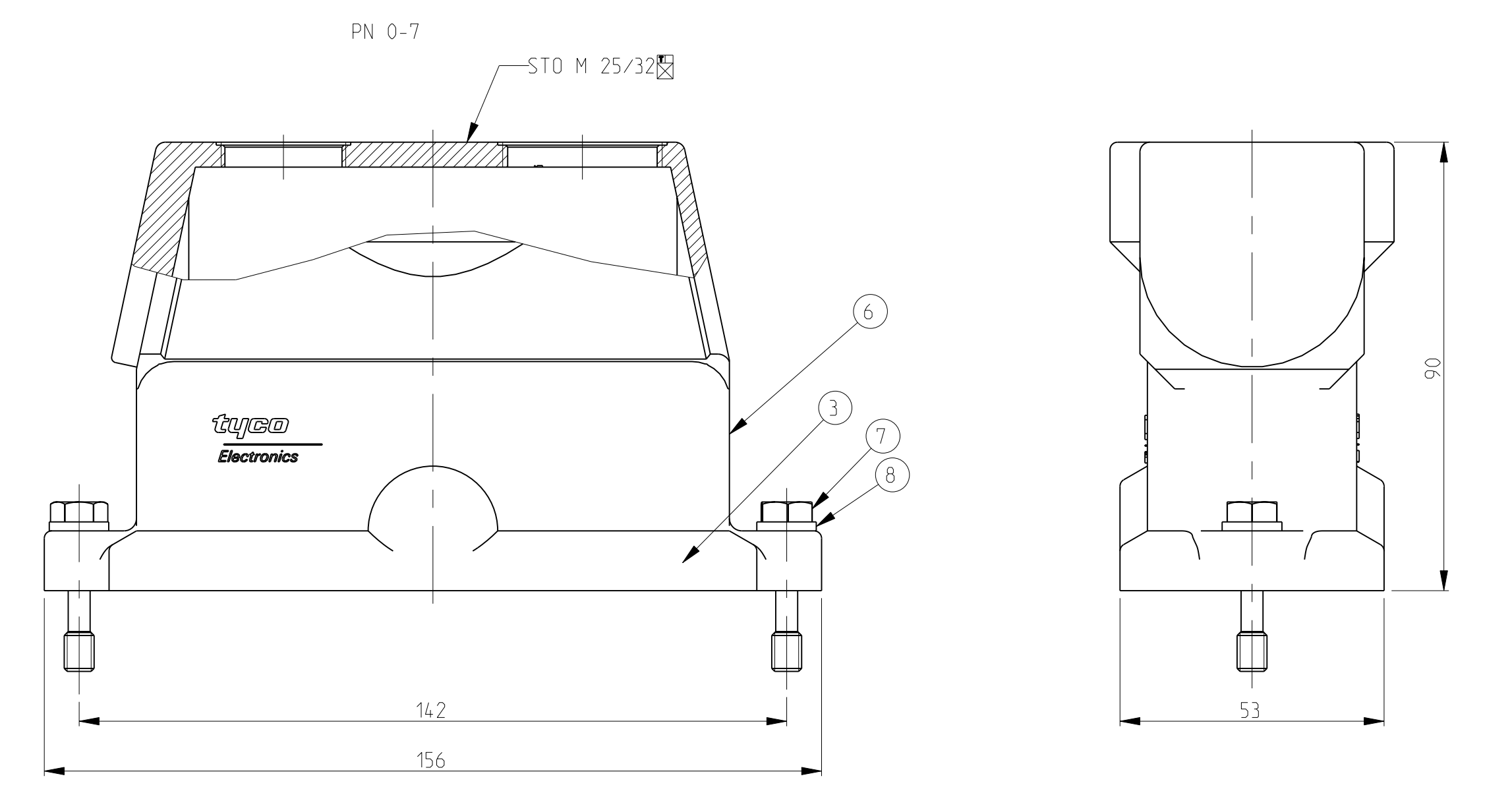
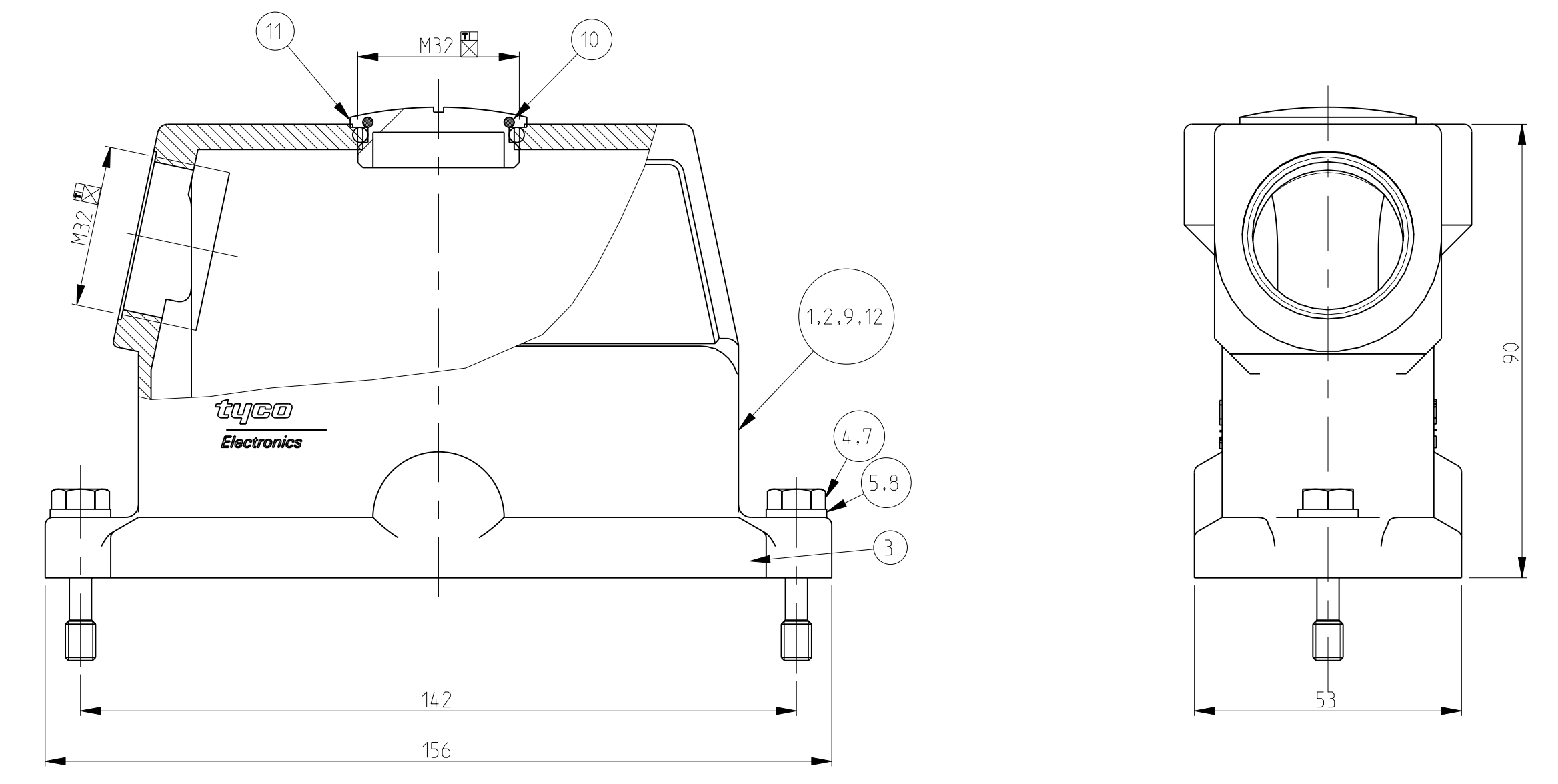
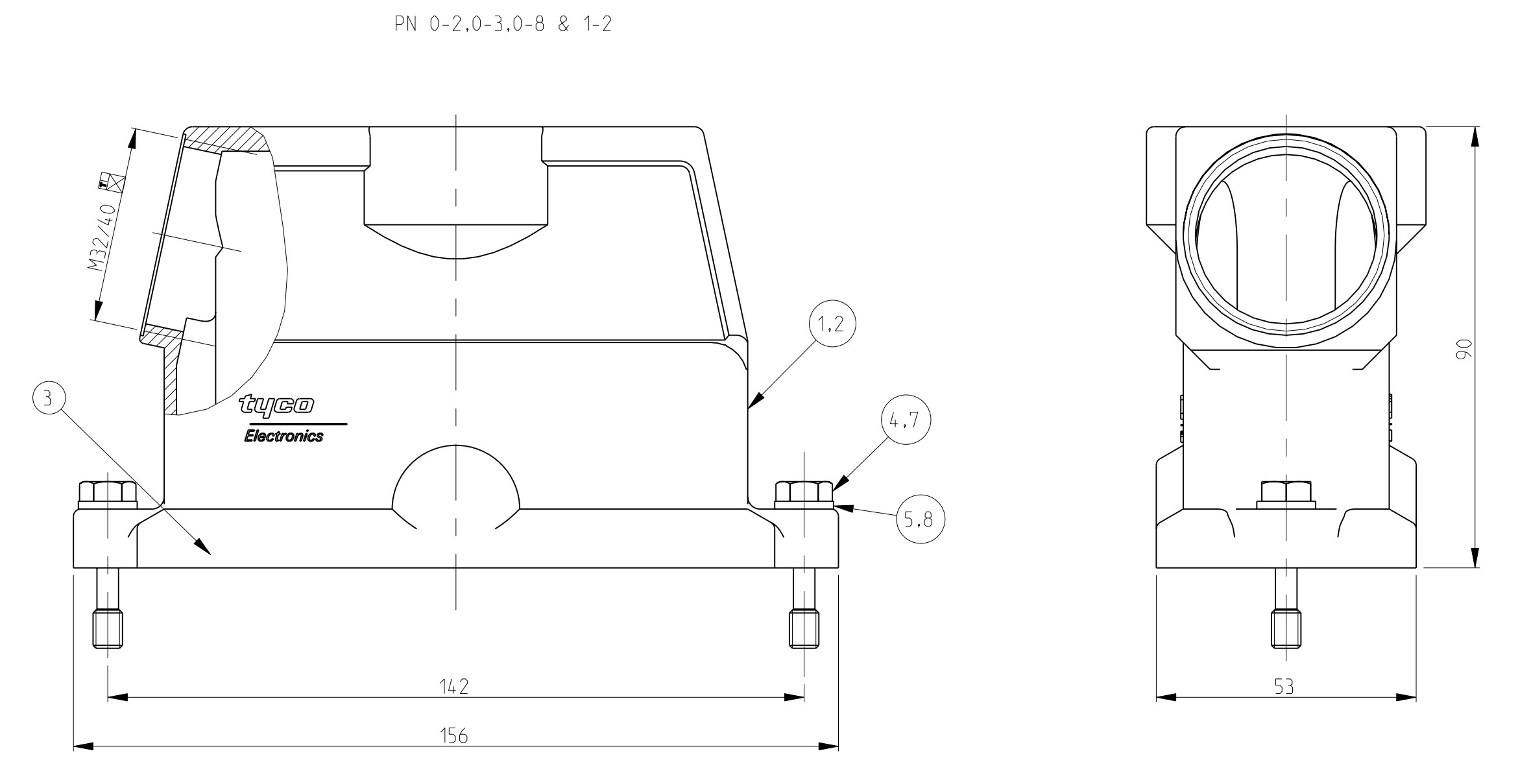


LOC	DIST	REVISIONS			
		REV	DATE	BY	APPD
A1		1	29-Aug-2000	SP	TS
		DESCRIPTION		DATE	BY
		A1B Released as per ECR-08-021956			

- NOTES.
- △ Material:Housing:Aluminium Diecasting Alloy
Seats:Neoprene conductivity
 - △ Surface:Varnish grey
_ChromITAL TCP passivation -Varnish Black
 - △ Packaging
Quantity 5 Pieces in a box
 - △ Special Packaging
Quantity 25 Pieces in a box
 - 5 Varnish on the inside not necessarily



QTY	DESCRIPTION	MATERIAL	SURFACE	COLOR	ITEM NO	REMARKS																	
1	Hood size 8 finished product	Aluminium	SUR TEC 650	Black RAL9005	13																		
1	Hood size 8 finished product	Aluminium		Without varnish	12																		
1	Blanking Piece	Brass	Nickel plated	Blue	11																		
1	O-Ring	Neoprene		Black	10																		
1	Hood size 8 finished product	Aluminium		White Aluminium	9																		
2	Washer, Plain	Stainless steel	Blank		8	B6.4																	
2	Screw, Hexagon Bolt	Stainless steel	Blank		7	M6x30																	
2	Hood size 8 finished product	Aluminium	SUR TEC 650	Black RAL9005	6																		
2	Washer, Plain	Stainless steel	Blank		5	B6.4																	
2	Screw, Hexagon Bolt	Stainless steel	Blank		4	M6x30																	
1	Seal	Neoprene		Black	3	Conductivity																	
1	Hood size 8 finished product	Aluminium	SUR TEC 650	Black RAL9005	2																		
1	Hood size 8 finished product	Aluminium		Grey RAL7001	1																		
1-8	1-7	1-6	1-5	1-4	1-3	1-2	1-1	1-0	0-9	0-8	0-7	0-6	0-5	0-4	0-3	0-2	0-1	DESCRIPTION	MATERIAL	SURFACE	COLOR	ITEM NO	REMARKS
																			EMV-24/64-STO-1.M40.G	△			
																			EMV-24/64-STO-1.M40.G	△			
																			EMV-K-24/64-STO-1.M40.G	△			
																			EMV-K-24/64-STO-1.M40.G	△			
																			EMV-24/64-STO-1.M20.G	△			
																			EMV-24/64-STO-1.M25.G	△			
																			EMV-K-24/64-STO-1.M32.G	△			
																			EMV-K-24/64-STO-1.M32.G	△			
																			EMV-24/64-STO-1.M32.G-STO-1.M32.G	△			
																			EMV-24/64-STO-1.M32.G-STO-1.M32.G	△			
																			EMV-K-24/64-STO-1.M40.G-WE	△			
																			EMV-K-24/64-STO-1.M25.G	△			
																			EMV-24/64-STO-1.M32.G-STO-1.M32.G	△			
																			EMV-K-24/64-STO-1.M32.G	△			
																			EMV-K-24/64-STO-1.M32.G	△			
																			EMV-K-24/64-STO-1.M40.G-Neutral	△			
																			EMV-24/64-STO-1.M32.G-STO-1.M32.G	△			

TYCO ELECTRONICS CORPORATION
 DIMENSIONS: mm
 TOLERANCES: UNLESS OTHERWISE SPECIFIED:
 FRACTIONS: DECIMALS:
 Holes: H7/g6
 Fits: H7/g6
 Holes: H7/g6
 Fits: H7/g6
 Holes: H7/g6
 Fits: H7/g6

DATE: 01.08.2000
 DRAWN BY: Schneider
 CHECKED BY: Schneider
 NAME: Tyco Electronics - AMP-EMV
 ADDRESS: 0-53757 Sankt Augustin, Germany

PRODUCT SPEC: Hood
 APPLICATION SPEC: EMV-24/64-Sto/Sts with M-Thread

SCALE: 1:1
 SHEET: 1 of 1
 REV: A1B